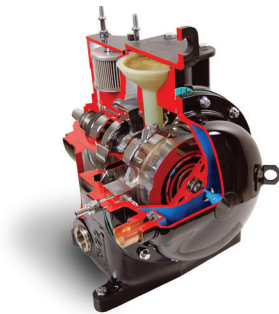


SPECIFICATION SHEET T-1080 SPECTRUM™



QUICKTEMP TECHNOLOGY

QuickTemp technology utilizes an electronic throttling valve system, and is standard on all T-80 Series units. QuickTemp allows you to realize major long-term benefits, including significant fuel savings, improved temperature control and reduced maintenance.



THE MOST ADVANCED SCROLL COMPRESSOR EVER

The clear choice for peak efficiency and maximum cooling capacity.

- Up to 10% more fuel efficient
- High efficiency and greater capacity
- Less noise and vibration
- Less maintenance (87% fewer moving parts)
- E nickel-plated Oldham coupling for greater reliability

KEY OPTIONS

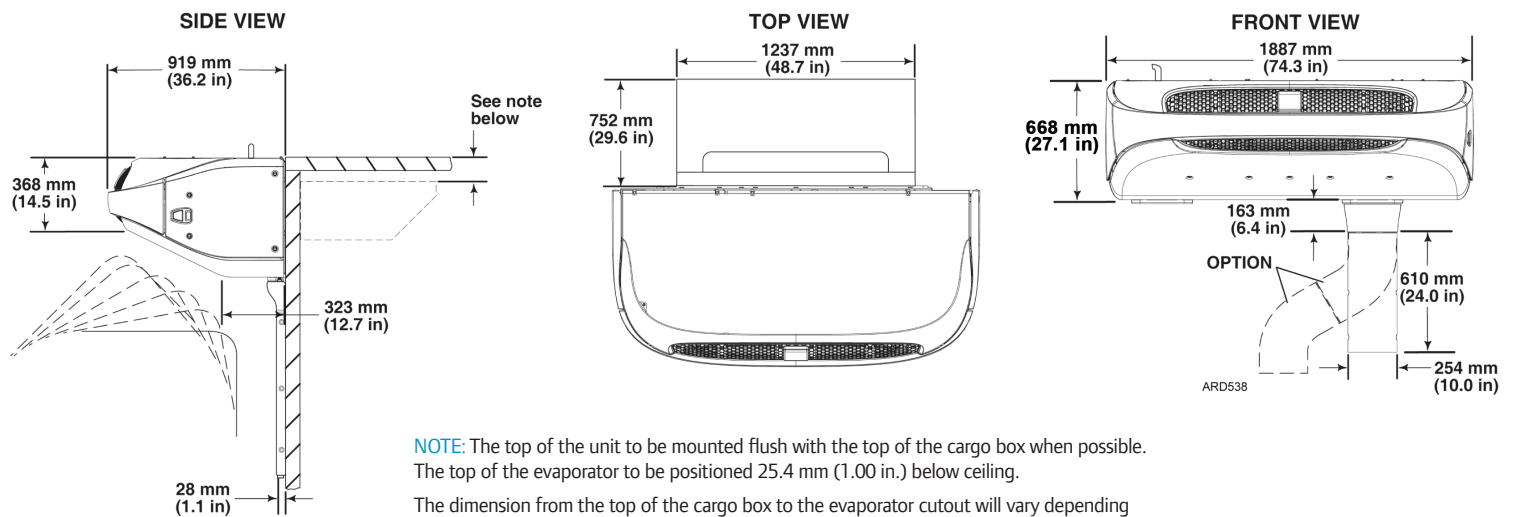
Customize your unit to fit your business needs:

- | | | |
|--|--|---|
| <input type="checkbox"/> SmartPower™
Electric Standby (230V
or 460V) | <input type="checkbox"/> Top Cover & Screen | <input type="checkbox"/> Electronic Door Switch |
| <input type="checkbox"/> Premium Display | <input type="checkbox"/> Battery Box | <input type="checkbox"/> Body Mount HMI |
| <input type="checkbox"/> Whisper™ Plus Noise
Reduction | <input type="checkbox"/> 30 Gallon Fuel Tank | <input type="checkbox"/> Flush Mount HMI |

SYSTEM PERFORMANCE

Refrigeration capacity: System net cooling capacity at 100°F ambient temperature and high speed engine/60 Hertz electric power

Return air to evaporator			
	35°F	0°F	-20°F
Engine Power BTU/hr (Up to)	34,000	21,000	13,000
Electric Power BTU/hr (Up to)	29,000	18,000	12,000
Heating capacity (35°F/0°F ambient)			
Engine power (BTU/hr)		16,000	
Electric power (BTU/hr)		11,000	
Airflow: on high speed engine operation			
Airflow volume @ 0 Pa static pressure		2020 ft ³ /min	
Discharge Velocity (Air Throw)		26 ft/sec	
Weight (Condensing Unit):			
Standard: cooling/heating on engine operation		803 lbs	
With SmartPower electric standby: cooling/heating on engine/electric standby		958 lbs	
Engine: 3 cylinder, liquid cooled			
Model		TK 380	
Rating		16.2 hp	
Maintenance Interval		2000 hrs	
Compressor: lightweight aluminum alloy			
Model		TK06	
Displacement		6 cu. in.	
Electric standby motor			
Voltage / phase / cycles		230/3/60	
Rating		12 hp	
Refrigerants: R-404A zero Ozone Depletion Potential (ODP), internationally approved			
Charge		8.0 lbs	



NOTE: The top of the unit to be mounted flush with the top of the cargo box when possible. The top of the evaporator to be positioned 25.4 mm (1.00 in.) below ceiling.

The dimension from the top of the cargo box to the evaporator cutout will vary depending on the type of box, truck cab tilt clearance, etc.

T-680R and T-880R minimum dimension = 107 mm (4.25 in.)