

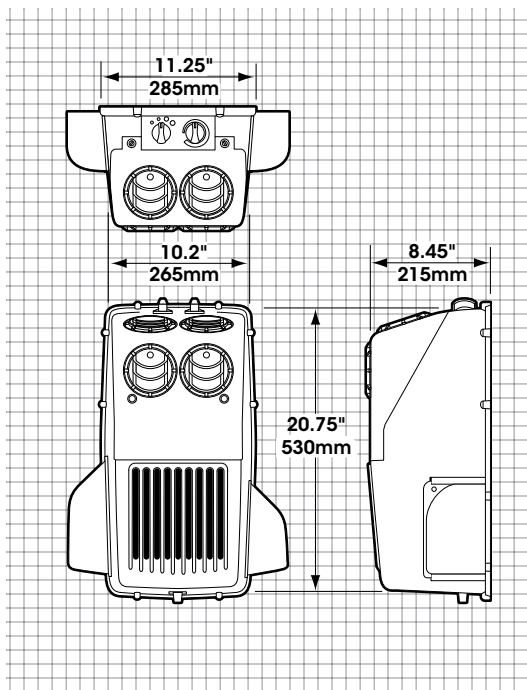
**ON/OFF-ROAD**

# R-6840 Backwall

## Air Conditioner Unit

**VANS • COMMERCIAL TRUCKS • INDUSTRIAL • CONSTRUCTION • AGRICULTURE**

Our R-6840 backwall air conditioner uses Red Dot's advanced coil and blower technology to produce the highest capacity possible from a compact wall-mounted unit. The resin housing is tough and good-looking—perfect for cabs where performance and fit and finish are important. Multidirectional diffusers send air where you need it. Floor support kit available.



*R-6840 shown with optional floor support kit, plumbing covers and filter*

HEATER-A/C

### R-6840 SPECIFICATIONS

<b>BTUs</b>	Cooling – 22,300 BTU/Hr with 36°F (6.5 kW with 2.2°C) refrigerant temperature and 80°F (26.7°C) wet bulb entering air
<b>AIR FLOW</b>	325 CFM (552 m <sup>3</sup> /h)
<b>WEIGHT</b>	16 lbs. (7.3 kg)
<b>CURRENT</b>	18.6 amps @ 13.6 VDC (includes 4 amps for A/C clutch);
<b>DRAW</b>	9.5 amps @ 27.2 VDC (including 2 amps for A/C clutch)
<b>CONTROLS</b>	High-low motor speed, four adjustable louvers, adjustable thermostat

### R-6840 SYSTEM ORDERING GUIDE

	R-134a	NOTES
<b>UNITS</b>	R-6840-0P	12 VDC – Variable Thermostat R-6840-0-24P 24 VDC – Variable Thermostat
<b>CONDENSER</b>	R-6160 - Roof Mount 77R0650 - Radiator Mount	See Units Condensers section See 77 Section Condensers section
<b>INSTALLATION KIT</b>	78R1070 78R1077 78R1027 78R1025	Rooftop condenser ATCO version Rooftop condenser EZ Clip version Front mount condenser EZ Clip version Front mount condenser ATCO version
<b>OPTIONS</b>	Floor Support Kit Plumbing Covers (left and right) Recirc Filter Remote Control Panel Kit	RD-2-3673-0P RD-2-3515-0P RD-2-3683-0P RD-2-3674-0P
<b>COMPRESSOR</b>	Requires compressor and mounting kit	See 75 Series Compressor section